

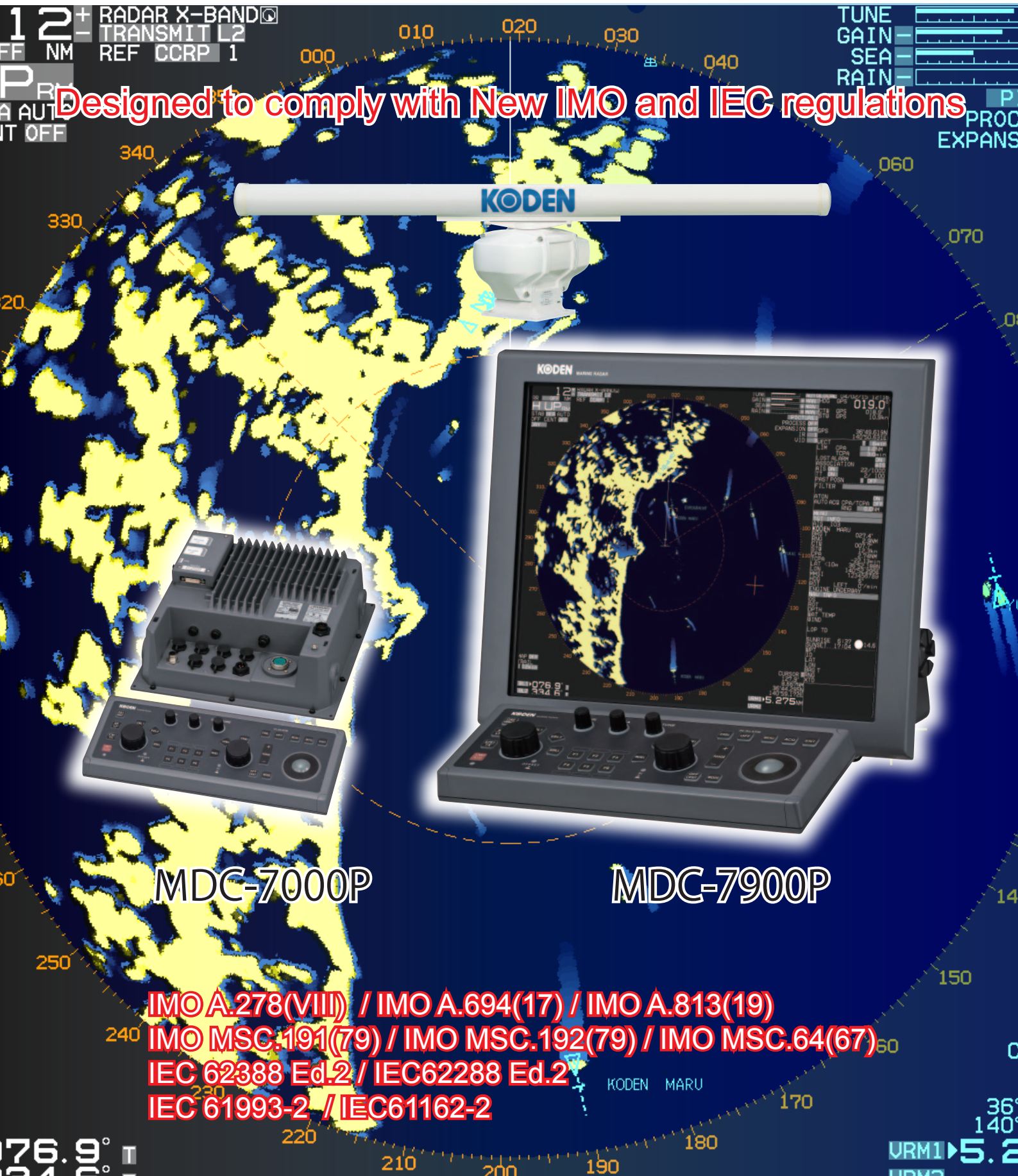
New Products

KODEN

19-inch Color LCD / Black Box type
Marine Radar

MDC-7900P/7000P Series

Designed to comply with New IMO and IEC regulations



MDC-7000P

MDC-7900P

**IMO A.278(VIII) / IMO A.694(17) / IMO A.813(19)
IMO MSC.191(79) / IMO MSC.192(79) / IMO MSC.64(67)
IEC 62388 Ed.2 / IEC62288 Ed.2
IEC 61993-2 / IEC61162-2**

SPECIFICATIONS

Antenna-scanner unit

| | | |
|----------------------------|--|-----------------------|
| Model | MDC-7012P / MDC-7912P | MDC-7025P / MDC-7925P |
| Type | RB808P | RB809P |
| Antenna type | Open antenna | |
| Antenna length | 4 feet / 6 feet / 9 feet | |
| Output power (Peak) | 12 kW | 25 kW |
| Output frequency | 9410 MHz \pm 30 MHz | |
| Horizontal beam width | 4 feet : 1.8° / 6 feet : 1.2° / 9 feet : 0.8 | |
| Vertical beam width | 4, 6 feet : 22° / 9 feet : 25° | |
| Rotation | 24 rpm | |
| IF center frequency | 60 MHz | |
| Range accuracy | 8 meters or 1% of the range scale selected, whichever is the greater | |
| Minimum detecting distance | Within 40 m | |
| Range resolution | Within 40 m | |
| Warm-up time | 2 min | 3 min |
| Pulse width | 0.08 us, 0.15 us, 0.3 us, 0.4 us, 0.6 us, 0.8 us, 1.2 us | |

Environmental

| | |
|-----------------------|----------------|
| Operating temperature | -25°C to +55°C |
| Water Protection | IPX6 |

Display unit / Processor unit for 7000P series

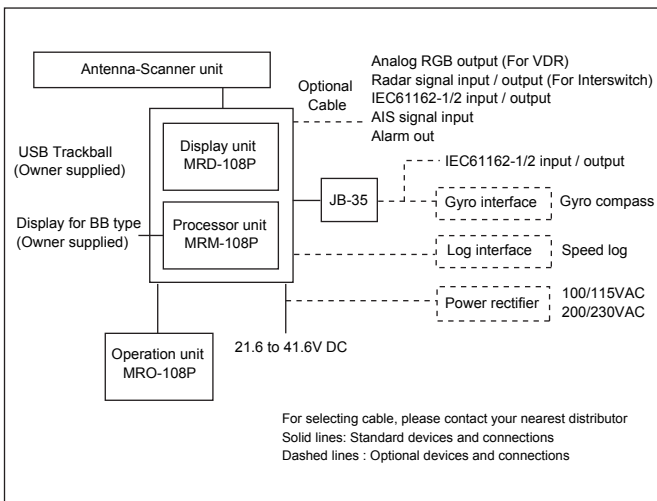
| | | |
|----------------------------------|---|-----------------------|
| Model | MDC-7012P / MDC-7912P | MDC-7025P / MDC-7925P |
| Display unit | MRD-108P (MDC-7900P only) | |
| Display size and type | 19" color TFT LCD | |
| Processor unit | MRM-108P (MDC-7000 only) | |
| Effective diameter | 282 mm | |
| Display resolution | 1280 x 1024 pixels (SXGA) | |
| Off-centering | Max. 72 % | |
| Range Scales | 0.125, 0.25, 0.5, 0.75, 1.5, 3, 6, 12, 24, 48, 64, 96 | |
| Range interval | 0.0625, 0.125, 0.25, 0.5, 1, 2, 4, 8, 16, 16 | |
| | (64 NM : 12 kW only, 96 NM : 25 kW only) | |
| Presentation modes | Head-up, North-up (True motion), North-up (Relative motion), Course-up (True motion), Course-up (Relative motion)* | |
| Video levels | 16 | |
| Range unit | NM, km | |
| Functions | CFAR (Clutter rejection), Interference rejection, Target expansion, Process, VRM, EBL, Parallel index, ERBL, Cursor position, Bearing (true/relative), Trail (true/relative), Own ship past track*, MAP (Event mark* etc.), Analog RGB output, Trial Manoeuvre* | |
| Input data format and sentences | IEC61162-1 / -2 ACK, ACW, ARC, BWC, DBT, DPT, DTM, GBS, GGA, GLC, GLL, GNS, HDT, MTW, MWE, RMB, ROT, RTE, THS, VBW, VDR, VHW, VTG, WPL, XTE, ZDA | |
| Output data format and sentences | IEC61162-1 / -2 ALC, ALF, ALR, DTM, EVE, GLL, HBT, HDT, ROT, RSD, OSD, THS, TLB, TLL, TTD, TTM, VBW, VDR, VHW, VTG, ZDA | |
| AIS interface* | 900 Targets (Standard) | |
| TT (ARPA)* | Auto / Manual 100 Targets (Standard) | |
| Power supply | 21.6 to 41.6 VDC | |
| Power Consumption (at 24 VDC) | 150 W or less | 200 W or less |

Environmental

| | |
|-----------------------|---------------------------------------|
| Operating temperature | -15°C to + 55°C |
| Water Protection | Front panel and operation unit : IP23 |

* Requires heading, speed, and / or position signal input from external equipment including GPS Compass depending on application of user.

CONNECTIONS



EQUIPMENT LIST

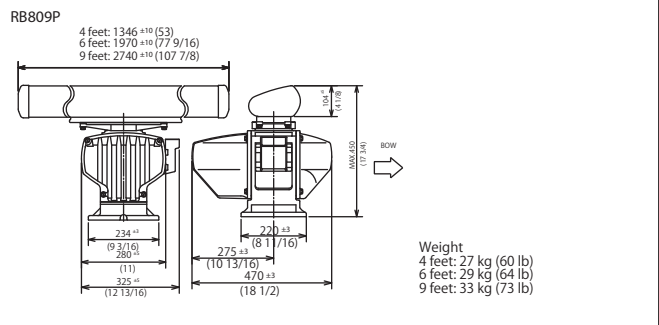
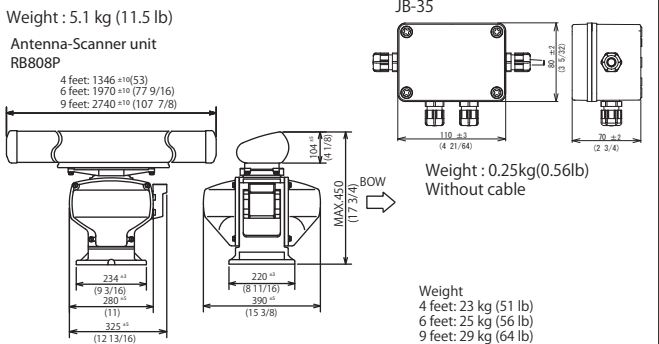
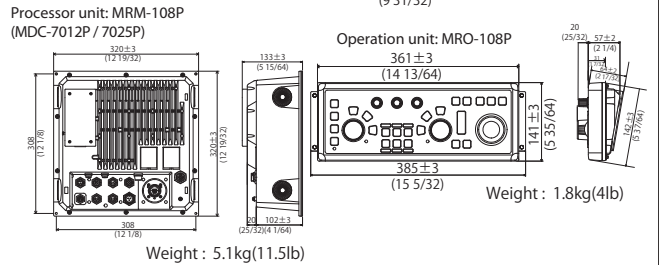
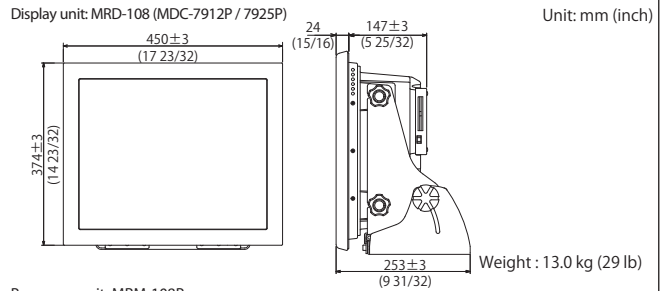
Standard Equipment

| | | |
|--|------------|-----------------------------------|
| Scanner unit | RB808P | 12 kW |
| | RB809P | 25 kW |
| Antenna unit | RW701A-04 | 4 feet |
| | RW701A-06 | 6 feet |
| | RW701B-09 | 9 feet |
| Display unit (MDC-7900 only) | MRD-108P | |
| Processor unit (MDC-7000 only) | MRM-108P | |
| Operation unit | MRO-108P | With 2 m connecting cable |
| Connecting cable | CW-846-15M | 15 m with connectors on both ends |
| DC power cable | CW-259-2M | 2 m |
| Operation manual, Installation manual, Installation material, Fuse | | |

Option

Gyro interface unit, Log interface unit, Power rectifier, AC power cable, Connecting cables

DIMENSIONS AND WEIGHT



• Design and specifications are subject to change without notice.

KODEN Kodon Electronics Co., Ltd.

Tamagawa Office:
2-13-24 Tamagawa, Ota-ku, Tokyo, 146-0095 Japan
Tel: +81-3-3756-6501 Fax: +81-3-3756-6509
Uenohara Office:
5278 Uenohara, Uenohara-shi, Yamanashi, 409-0112 Japan
Tel: +81-554-20-5860 Fax: +81-554-20-5875

overseas@koden-electronics.co.jp

www.koden-electronics.co.jp



Safety precaution To ensure proper and safe use of the equipment, please carefully read and follow the instructions in the Operation Manual.

For details, please contact:

MDC-7000P

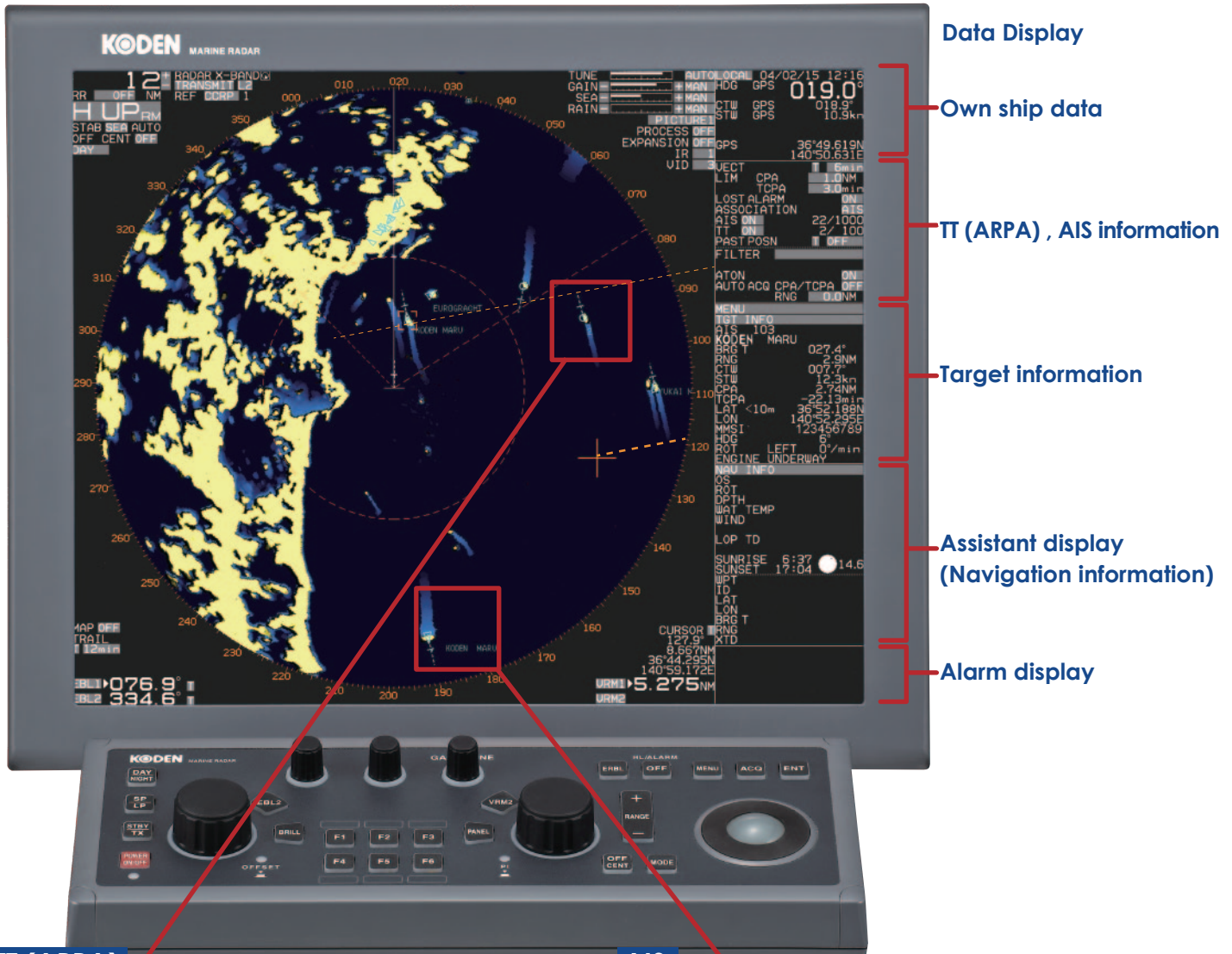
MDC-7900P Series

MDC-7012P / MDC-7912P : 12 kW 4 feet / 6 feet / 9 feet Open
 MDC-7025P / MDC-7925P : 25 kW 4 feet / 6 feet / 9 feet Open

MDC-7900P Series provides outstanding performance and clear image by 19-inch high resolution SXGA display, plus anti-reflection coating. MDC-7000P Black Box radars connect to the SXGA type display approved by the notified body.

| Model | | 19-inch Display type | |
|----------------|-----------|----------------------|-----------|
| Black Box type | | 19-inch Display type | |
| MDC-7012P | MDC-7025P | MDC-7912P | MDC-7925P |

- ### Features
- Clear image with High-speed sampling in short range (3 times faster than existing models)
 - Capable advanced video adjustment (Video level : 8→16)
 - Auto gain with simple operation
 - Improved visibility of the display by auto STC
 - Simple and easy operation by trackball unit via USB
 - Brushless motor adopted (12kW / 25kW)
No longer replace brush and less noise of motor



- Data Display
- Own ship data
- TT (ARPA) , AIS information
- Target information
- Assistant display (Navigation information)
- Alarm display

TT (ARPA)

Built-in TT (ARPA) tracks up to 100 targets. Selectable auto acquisition or manual acquisition.

AIS

Built-in AIS interface for displaying up to 900 targets.