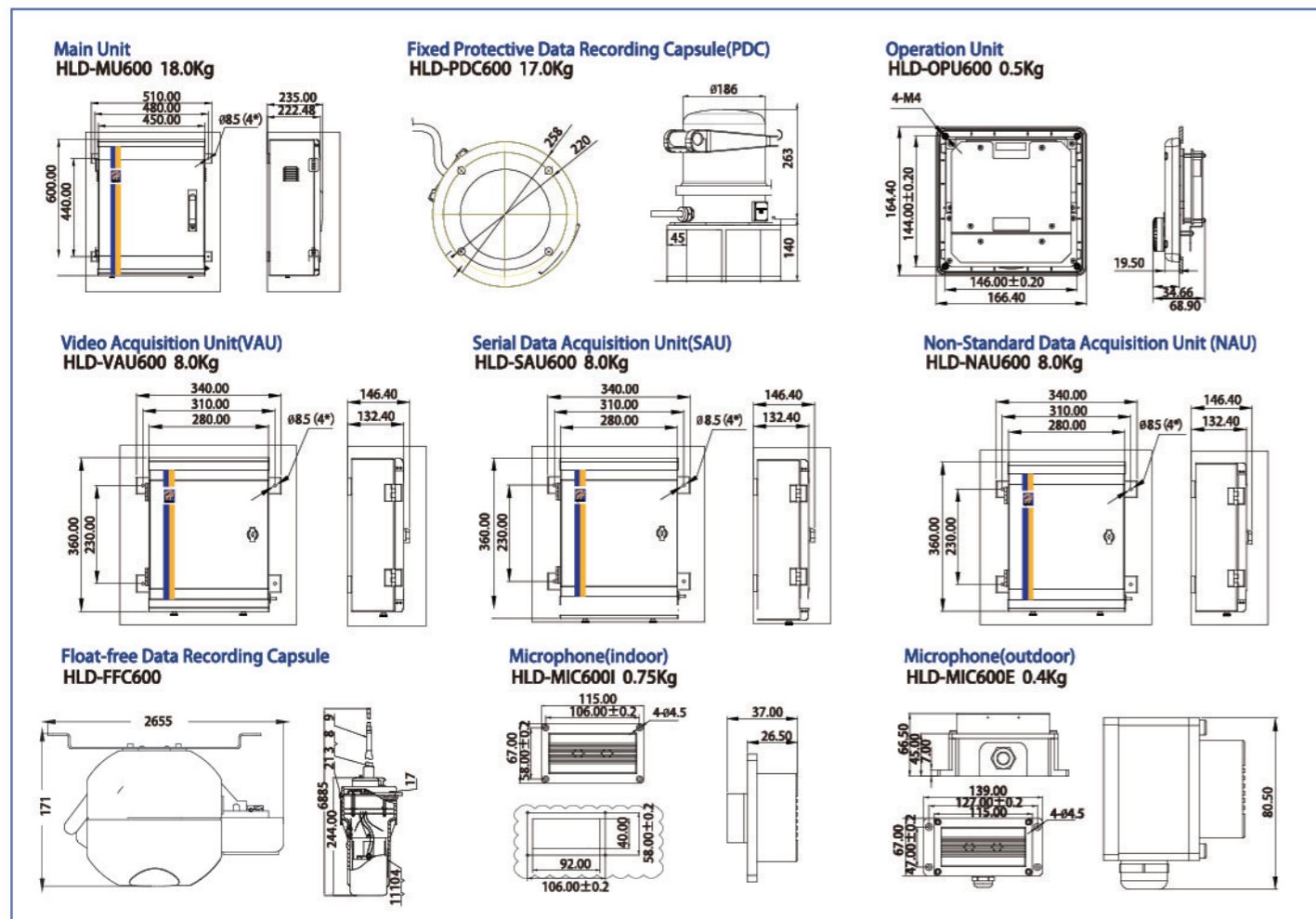


【产品规格】



24 Hours
 Tel:+86 10 82158066
 Fax:+86 10 82150083
 E-mail:service@highlander.com.cn

Beijing Highlander Digital Technology Co.,Ltd.
 Add:C1902, SPTower, Tsinghua Science Park. Haidian District Beijing. China
 Tel:+86 10 82158018 Fax: +86 10 82150083
 Website:www.highlander.com.cn Post code: 100084

All rights reserved. We reserved the rights to change the specifications without notice. Information are for reference only and does not constitute as contractual agreement.

China Classification Society (CCS) type approval
 EU MED B + D Type Approval

iVDR
HLD-VDR 600



Beijing Highlander Digital Technology Co., Ltd.



HLD-VDR600 VDR is developed based on the proven B2 VDR technology which was installed on more than 5000 vessels. HLD-VDR600 VDR complies with the latest IMO Resolutions A.861(20), MSC 64(67), MSC.333 (90), IEC61996-1 Ed.2 and IEC 60945, and has get the approval certificate of CCS&EC.

[Features]

- High reliability: Linux system for stability.
- Easy Installation: compact size offers easy and quick installation
- Scalability: Flexible configurations including choice of non-standard Data Acquisition modules.
- Suitability: suitable for all type of vessels.
- Optional interfaces: LAN/DVI/VGA/other interfaces for the ECDIS, RADAR.
- Protected data: Encryption for data integrity protection.
- Log records: Logs all events including configuration enabling remote fault diagnosis.
- Value to owners: Records can be transmitted to fleet managers in conjunction with Highlander VMS via internet for evaluation, analysis of incidents and training.



[Technical Specifications]

Main Unit(MU)

- Power input: 110/220VAC, 50-60Hz, single phase and 24VDC
- Consumption: <70W
- Reserve battery: 7AH for not less than 2hours usgae
- Inputs:Audio: 6x audio channels
10x Microphones input
2x VHF audio input
- Ethernet: 10x Ethernet channels(100MBS) for ECDIS, RADAR, etc.
- Integral Long Term Recording Storage Medium
- Dimensions (LxWxH): 600x450x235mm
- Weight: 18kg
- Installation: Wall or bulkhead mounting
- IP Protection: IP22
- Working temperature: -15 °C ~ 55 °C

Operation Unit(OPU)

- Display:High definition touch screen LCD, (800x480 Pixel)
- Human-Machine Interface:User friendly interface, displays all the warnings and alarms
- Data Back Up function
- Dimension(LxWxH): 166.4×164.4×70mm
- Weight: 0.5kg
- Installation: Flush mounting
- IP Protection: IP22
- Working temperature: -15 °C ~ 55 °C

Long- term Data Recording Unit

- Integrated in the Main Unit
- Memory capacity: 512GB
- Operating system: Linux OS
- Recording Speed: 100MBPS
- Working temperature: -15 °C ~ 55 °C

Fixed Protective Data Recording Capsule

- Recording time: not less than 48h
- Memory Capacity: 32GB
- Operation System: Linux OS
- Standards: IEC61996-2 (2013)
- Dimension (DxH): Φ180x240(mm);
- Weight: 17kg
- IP Protection: IP 66
- Working temperature: -25 °C ~ 70 °C

Float-free Data Recording Capsule

- Recording time: not less than 48h
- Memory Capacity: 32GB
- Operation System: Linux OS
- Standards: IMO A.662(16), IEC61996-2 (2013), IEC61097-2; IEC61096-7and ITU-RM.633-3:2004 regulations.
- Release mechanism: Auto-release when 4m underwater.
- COSPAS-SARSATEPIRB: Complies with IMO Res A.810(19);
- Watertight: up to 10M underwater
- Drop height: 20 meters
- IP Protection: IP56
- Working temperature: -25 °C ~ 70 °C

Video Acquisition Unit

- Number of Video Channels: 4x video channels for VGA inputsHigh definition up to 2048x1200pixels
- Installation of unit can be located near to image source.
- Dimension: 360×260×150mm
- Weight: 8kg
- IP Protection: IP22
- Working temperature: -15 °C ~ 55 °C

Serial Data Acquisition Unit

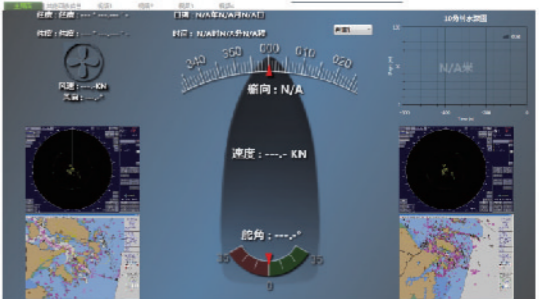
- 20xIEC61162serial data input
- Selectable Baud rate
- Dimension (LxWxH): 360×260×150mm
- Weight: 8kg
- IP Protection: IP22
- Working temperature: -15 °C ~ 55 °C

Non-Standard Data Acquisition Unit

- 8x Analogue Voltage or Current Inputs
- 64xON/OFF potential free contacts
- 16xON/OFF configurable active or passive contacts
- Dimension: 360×260×150mm
- Weight: 8kg
- IP Protection: IP22
- Working temperature : -15 °C ~ 55 °C

Assembly Microphone(AM)

- Frequency Range: 100-12kHz
- Installation: Flush mounting (Indoor) or Wall Mounting (Outdoor)
- IP Protection:IP22 for indoor units and IP56 for outdoor units
- Integratedbuilt-in self-test function
- High clarity and quality sensor
- Dimension(LxWxH): 115×67×33.7 mm (indoor)
139×81× 64 mm (outdoor)
- Weight: 0.4 kg (Indoor);
0.5kg(Outdoor)
- Working temperature: -15 °C ~ 55 °C



VDR 600 playback

[Configuration]

Standard configuration

- Main Unit HLD-MU600
- Operation Unit HLD-OPU600
- Fixed Protective Data Recording Capsule(PDC) HLD-PDC600
- Float-free Data Recording Capsule(FFC) HLD-FFC600
- Storage unit adapter box HLD-CJB600
- Video Acquisition Unit(VAU) HLD-VAU600

- Serial Data Acquisition Unit(SAU) HLD-SAU600
- Non-Standard Data Acquisition Unit (NAU) HLD-NAU600
- Microphone (Indoor) HLD-MIC600I
- Microphone (Outdoor) HLD-MIC600E
- Playback software
- Optional**
- VMS