

ANEMOMETER

AM-100

- Strong nylon material used for transmitter case
- True wind speed/direction available
- Up to 4 display units and 6 data output
- Type approval with CCS



AM-100T TRANSMITTER



**AM-100R
REMOTE BUTTON**



AM-100D DISPLAY UNIT

- AM-100 Digital Anemometer is designed for marine use. With case made of nylon and PC material, AM-100 can stand strong wind of 60+m/s and can be installed outdoor without corrosion.
- AM-100 can support up to 4 display units to indicate wind speed and direction at four locations onboard. Maximum 6 ports of RS422 output are available, to provide wind data to other navigation devices.
- Real wind direction and speed can be indicated when AM-100 is connected with speed log and compass. The heading and speed data can also be provided with COG & SOG from GPS receiver, if the connection with speed log and compass is not possible in some cases.



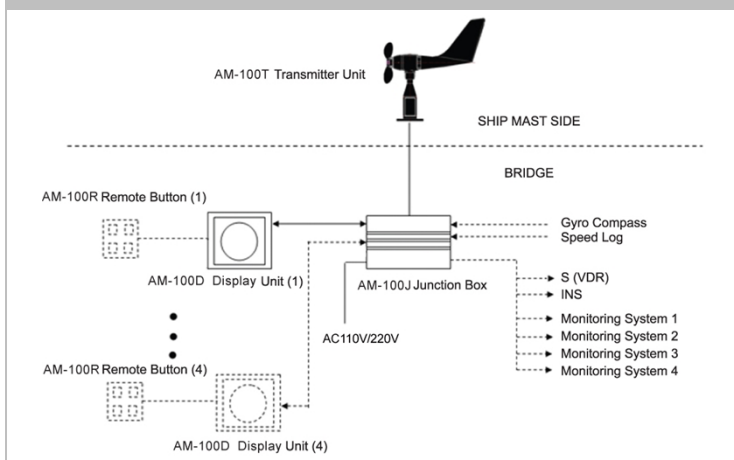
SPECIFICATIONS

- **Wind Range:** Wind direction 0~360°
Wind velocity 0~60 m/s
- **Accuracy:** Wind direction $\pm 5^\circ$
Wind velocity $\pm (0.5 + V \times 5\%)$ m/s
- **Power Supply:** AC 110 V/220 V
- **Output Data:** NMEA 0183 (6 ports, RS422), 4800 bps
- **Input Signal:** Gyro Compass, NMEA 0183, RS422
Speed Log, NEMA 0183, RS422
- **Display Capacity:** Max 4 Display Units to be connected
- **Environment:** Outdoor -30°C~+70°C, Indoor -15°C~+55°C
- **Size (Transmitter Unit):** 627 (H)×605 (L)×243 (propeller diameter) mm
- **Weight:** 4.0 kg (Transmitter unit)
- **IP Grade:** IP22 (Display Unit, Junction Box, Remote Button)
IP66 (Transmitter Unit)

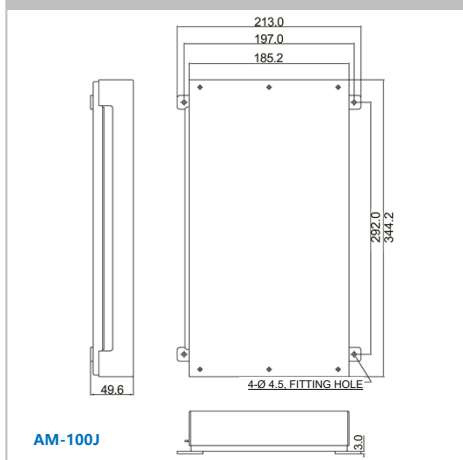
EQUIPMENT LIST

- **STANDARD**
 - Transmitter Unit AM-100T 1 pc
 - Display Unit AM-100D 1 pc
 - Junction Box AM-100J 1 pc
 - Outdoor Cable 40 m 1 pc
 - Indoor Cable 10 m 1 pc
 - Installation Materials 1 set
- **OPTIONS**
 - Remote Button AM-100R
 - Additional Display Unit AM-100D
 - Additional Cables

SYSTEM DIAGRAM



SIZE DIMENSION



SIZE DIMENSION

